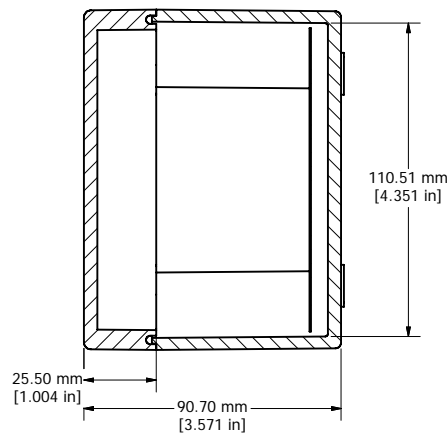
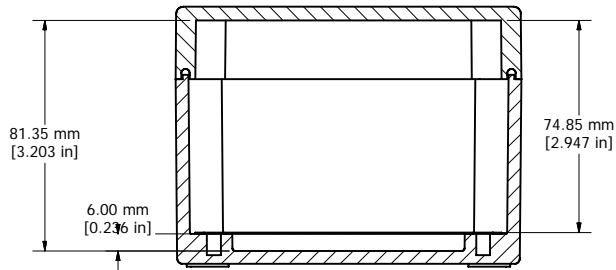
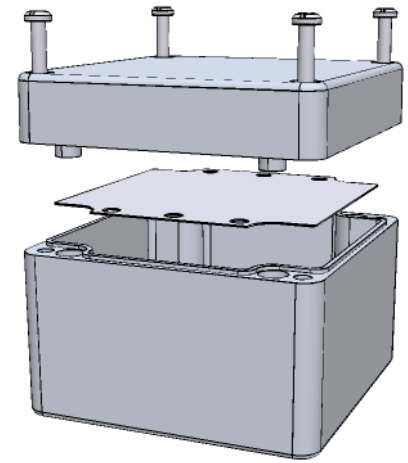


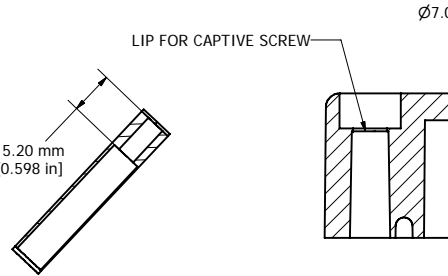
ASSEMBLY



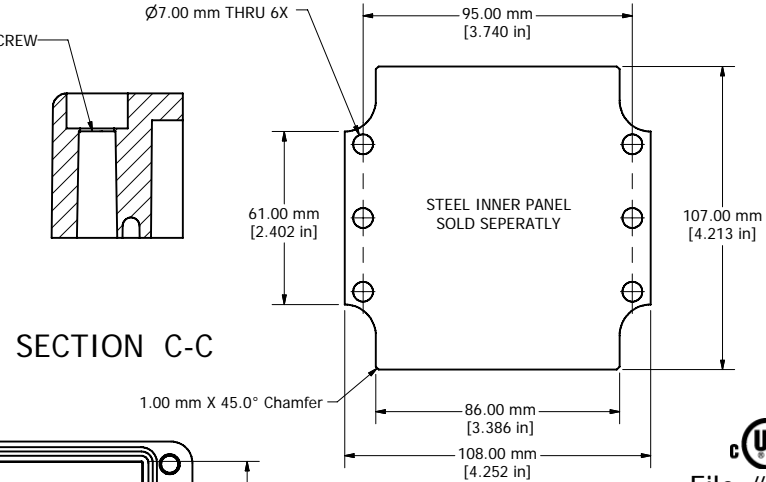
SECTION A-A



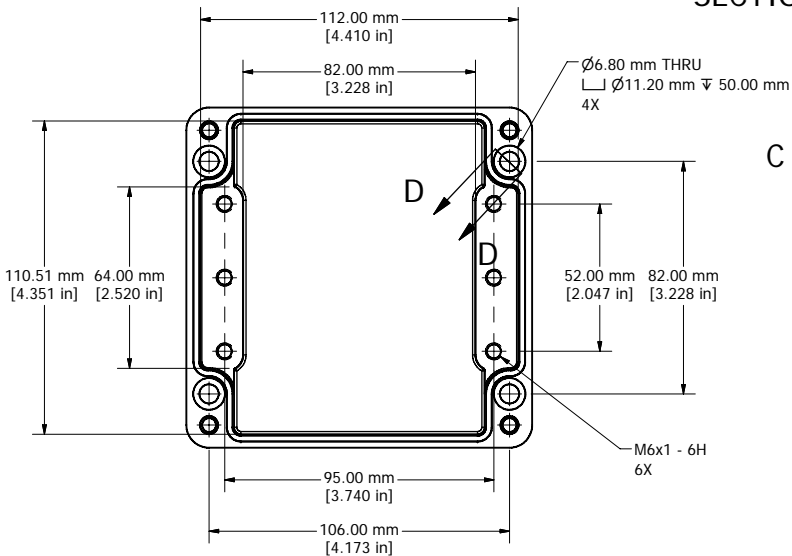
SECTION B-B



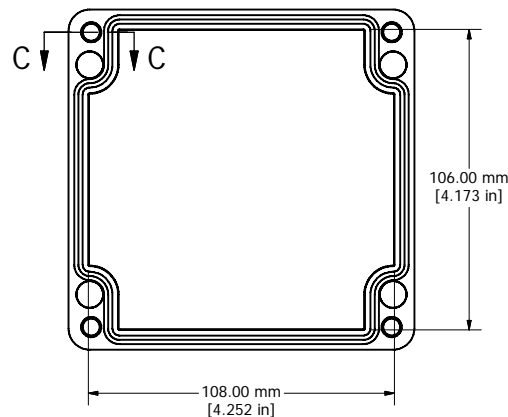
SECTION D-D



SECTION C-C



BOX - INSIDE



LID - INSIDE

UL US LISTED
 File #E65324
 NEMA 4, 4X

FIBERGLASS ENCLOSURE	
INCLUDES	
1	ENCLOSURE
4	M5 x 30mm PAN HEAD SCREWS
ACCESSORIES	
STEEL INNER PANEL	1590ZGRP121PL

HAMMOND MANUFACTURING™
1590ZGRP121
www.hammondmfg.com